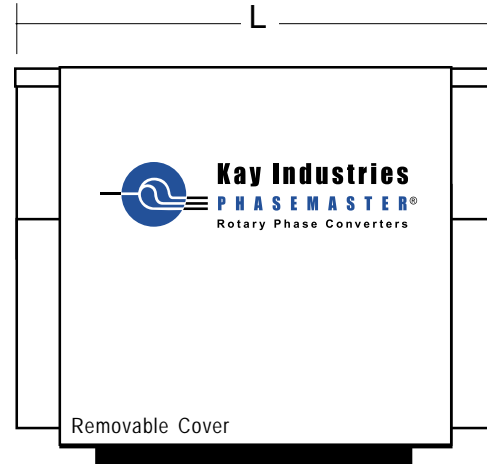
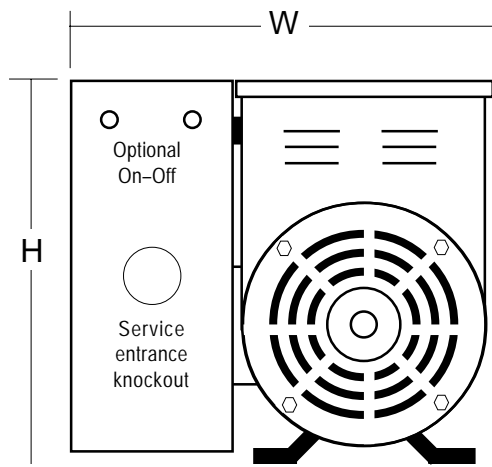


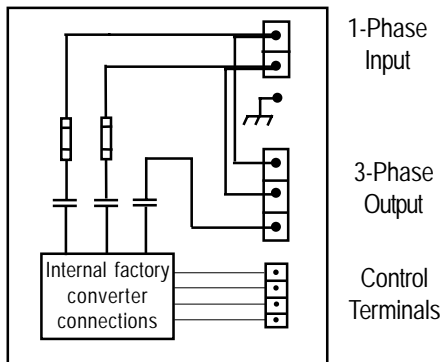
PHASEMASTER[®] ROTARY PHASE CONVERTER WITH AUTOMATIC CONTROLS

TYPE DP-A




LR43489

Control Panel Terminal Arrangement



Model No.	Largest HP	Max HP	Dimensions (Inches)			
			L	W	H	Wt.
DP-0-A	2	4	12	12	15	120
DP-1-A	3	6	14	17	18	225
DP-1B-A	5	10	17	20	22	277
DP-2-A	7.5	15	19	20	25	327
DP-3-A	10	20	20	22	26	444
DP-4-A	15	30	22	24	27	450
DP-5-A	20	40	25	24	27	515
DP-6-A	25	50	25	27	33	660
DP-7-A	30	60	26	27	33	805
DP-8-A	40	80	27	29	35	925
DP-9-A	50	100	30	29	35	970
DP-10-A	60	120	34	32	36	1265

NOTES:

See Drawings 0302-DP and 0302-AUTO for complete connection details including switch, fuse and feeder sizes.

Actual dimensions will not exceed those shown.

© Kay Industries, Inc. 2001



Corporate Office
604 N. Hill St.
South Bend, IN 46617
800-348-5257 219-289-5932 fax

Western Region Office
4127 Bay St. Suite 6
Fremont, CA 94538
510-656-8766 510-657-7283 fax