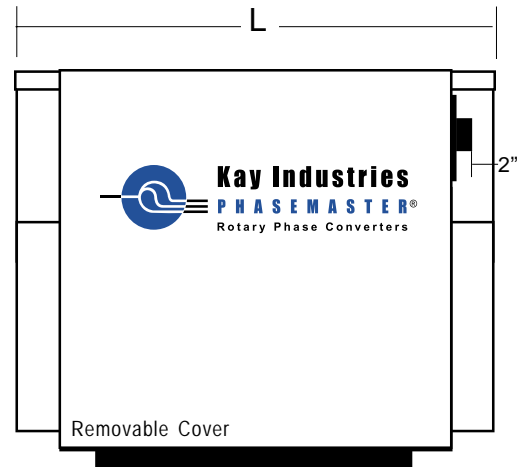
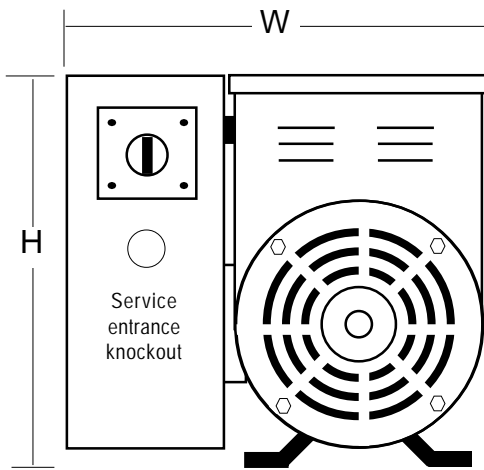
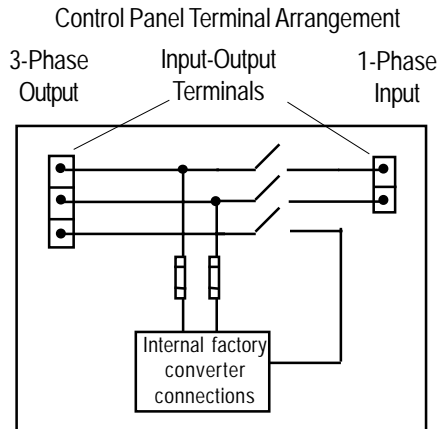


PHASEMASTER® ROTARY PHASE CONVERTER WITH BUILT-IN DISCONNECT SWITCH

TYPE MA-R




LR43489



Model No.	Largest HP	Max HP	Dimensions (Inches)			
			L	W	H	Wt.
SD-60-R	1.5	3	12	12	14	75
MA-00-R	2	4	12	12	15	100
MA-0-R	3	6	12	12	15	120
MA-1-R	5	10	14	17	18	225
MA-1B-R	7.5	15	17	20	22	277
MA-2-R	10	20	19	20	25	327
MA-3-R	15	30	20	22	26	444
MA-4-R	20	40	22	24	27	450
MA-5-R	25	50	25	24	27	515
MA-6-R	30	60	25	27	33	660

NOTES:

See Drawings 0302-MAR for complete connection details including switch, fuse and feeder sizes.

Actual dimensions will not exceed those shown.

© Kay Industries, Inc. 2001



Corporate Office
604 N. Hill St.
South Bend, IN 46617
800-348-5257 219-289-5932 fax

Western Region Office
4127 Bay St. Suite 6
Fremont, CA 94538
510-656-8766 510-657-7283 fax