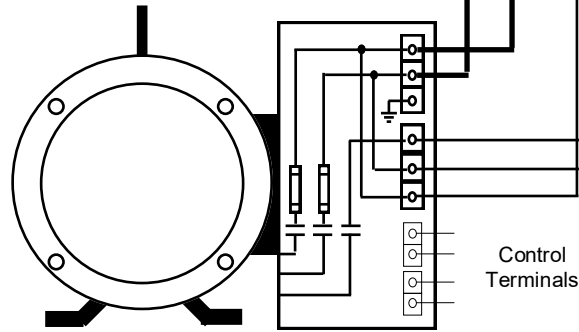


**Single-Phase
Input
from Main
Utility Supply
Panel**

L1
L2

Phasemaster® Type PI-A Totally Enclosed Rotary Phase Converter with built-in fuses and magnetic controls for remote actuation.



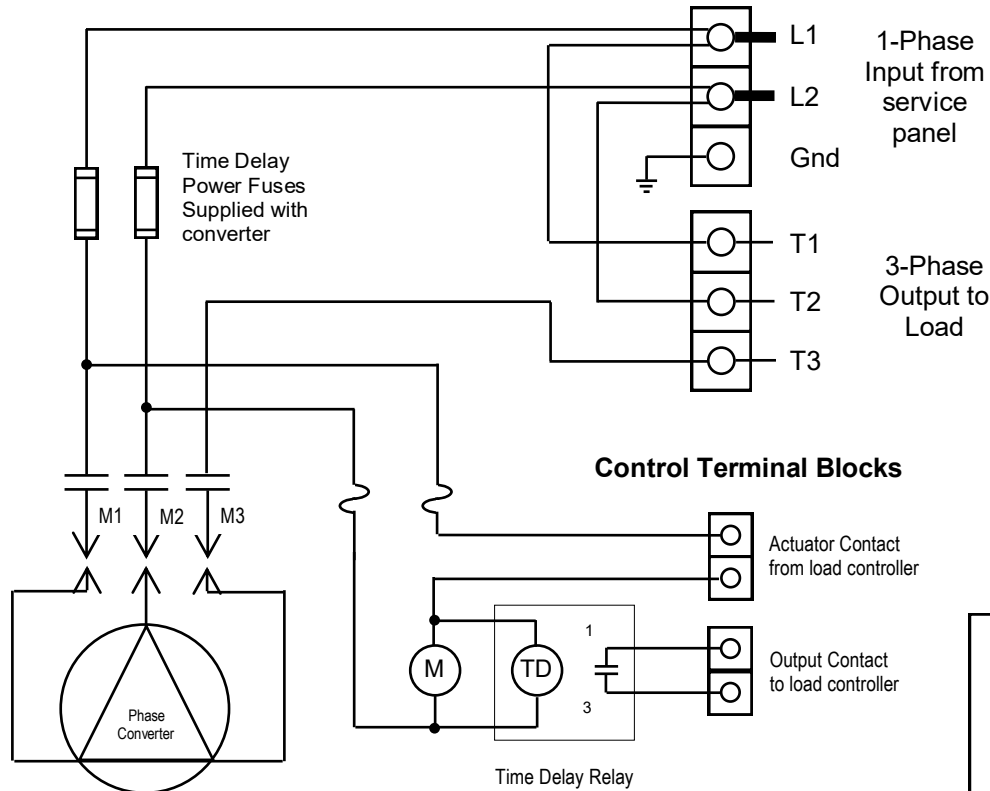
**Three-Phase
Output to Pump
or other Load
Equipment**

T1
T2
T3

Sequence of Operation

1. Input actuator contact from load controller closes magnetic starter M and energizes timing relay TD.
2. Converter starts and the adjustable timing relay waits 1-5 seconds until converter reaches full speed.
3. Output contacts 1-3 then close allowing the load to start.

Control Panel Connection Detail



WIRE SIZE SELECTION CHART							
Model No.	Start HP	230 Volts			460 Volts		
		Fuse*	1-Ph Cable	3-Ph Cable	Fuse*	1-Ph Cable	3-Ph Cable
PI-6-A	2	15	#10	#12	7.5	#12	#12
PI-10-A	3	20	8	12	10	10	12
PI-15-A	5	30	8	10	15	10	12
PI-20-A	7.5	35	6	8	15	8	12
PI-30-A	10	40	4	8	20	8	10
PI-40-A	15	60	1	6	30	6	10
PI-50-A	20	80	1/0	4	40	4	8
PI-60-A	25	100	3/0	4	50	2	6
PI-80-A	30	125	4/0	2	60	1/0	6
PI-100-A	40	150	2-1/0	1/0	75	2/0	4
PI-120-A	50	175	2-2/0	2/0	80	2/0	4

* Supplied with converter

**Connection Diagram for Type PI-A
Phasemaster Rotary Phase Converter
with automatic controls**

0302-PIA